

# .050" [1.27mm] CONTACT CENTERS .610" INSULATOR HEIGHT

## READOUT

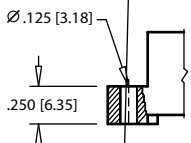
### FEATURES

- \* Accommodates .062 ±.008" PC board
- \* PPS or PA9T insulator
- \* Molded-in key available
- \* High reliability/high cycle hairpin bellows contact
- \* 1 amp current rating
- \* 150 grams normal force minimum

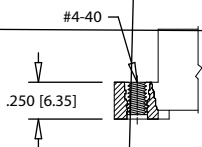
DUAL (D)

## MOUNTING STYLE

NO MOUNTING EARS (N)



FLUSH MOUNTING (D)



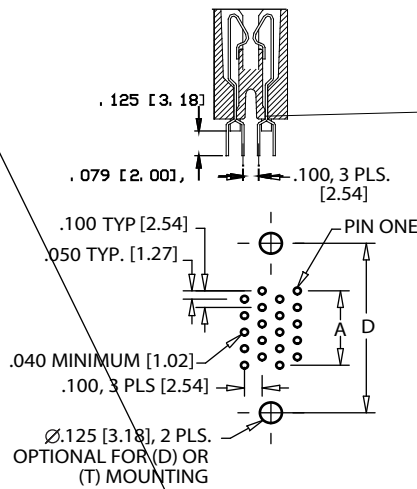
FLUSH MOUNTING WITH THREADED INSERT (T)

4.81

STRADDLE MOUNT (Q)

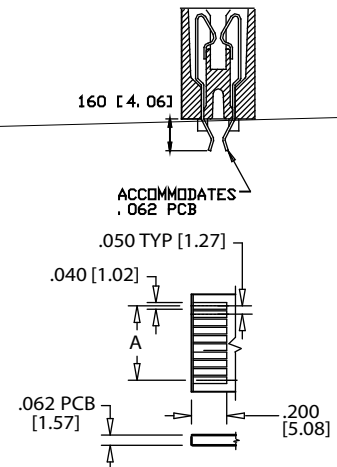
## TERMINATION TYPE

STAGGERED DIP SOLDER (HH)



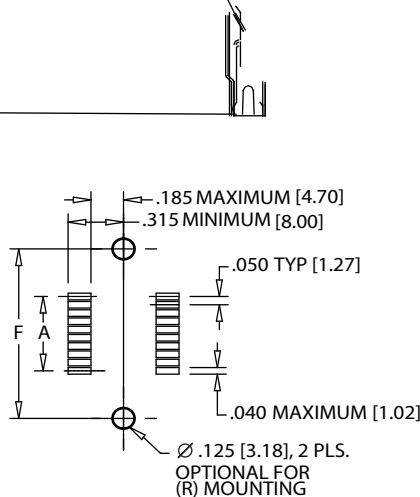
PC BOARD LAYOUT, CONNECTOR SIDE

CARD EXTENDER (HR)



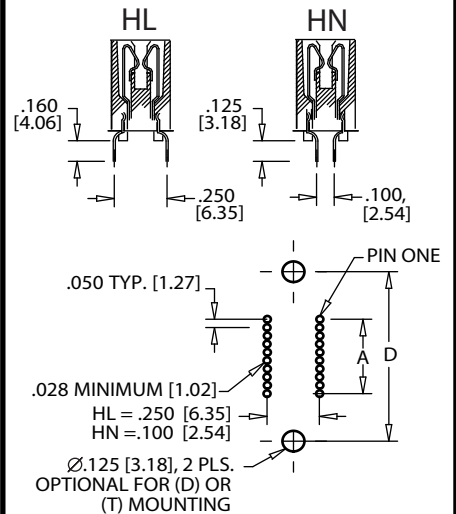
PC BOARD LAYOUT, SOLDER END

SURFACE MOUNT (HF)



PC BOARD LAYOUT, CONNECTOR SIDE

DIP SOLDER (HL, HN)



PC BOARD LAYOUT, CONNECTOR SIDE

## PART NUMBER CODING\*

R Z B 40 D HH D -SXXX

### MATERIALS (Insulator/Contact)

- R = PPS/Phosphor Bronze
- A = PPS/Beryllium Copper
- G = PA9T/Phosphor Bronze
- J = PA9T/Beryllium Copper

### CONTACT FINISH (All Platings have .000050" NICKEL Underplate)

- |                        |                          |
|------------------------|--------------------------|
| <b>Contact Surface</b> | <b>Termination</b>       |
| Z = .000010" Gold      | .000100" Tin/Lead        |
| X = .000030" Gold      | .000100" Tin/Lead        |
| B = .000010" Gold      | .000100" Pure Tin, Matte |
| C = .000030" Gold      | .000100" Pure Tin, Matte |

### CONTACT CENTERS

- B = .050" [1.27 mm]

### NUMBER OF CONTACT POSITIONS

- 5 thru 110

**MODIFICATIONS (Consult Factory)**  
Omit For Standard

### MOUNTING STYLE (Opposite Page)

- D = Flush Mounting
- N = No Mounting
- T = Flush Mounting With Threaded Insert

### TERMINATION TYPE (Opposite Page)

- HH = Staggered Dip Solder
- HR = Card Extender
- HF = Surface Mount
- HL = .250" [6.35mm] x.160" [4.06mm] Dip Solder
- HN = .100" [2.54mm] x.125" [3.18mm] Dip Solder

(REPLACES TERMINATIONS: CH, CR, CF, CL, CN)

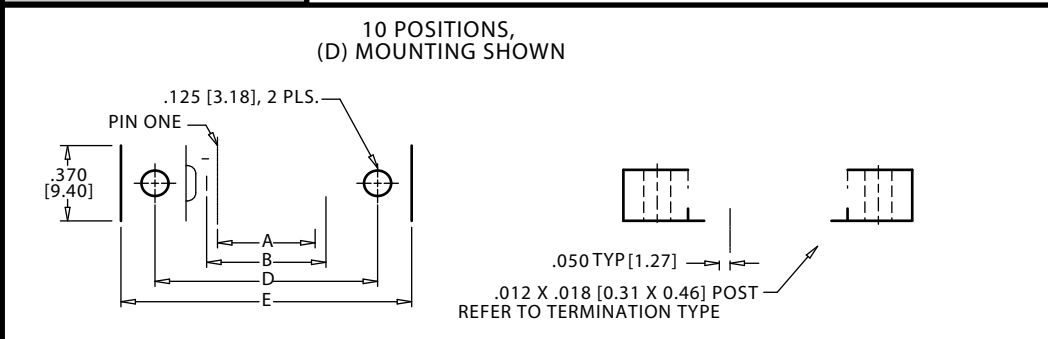
### READOUT (Opposite Page)

- D = Dual

## DIMENSIONS

█ = Lead Free Plating  
RoHS COMPLIANT

Dimensions in [ ] are in millimeters, all others in inches.



	INCHES						MILLIMETERS					
	±	±	±	±	±	±	± 12.70	±17.53	±24.79	±27.77	±	±
							8.89	13.72	20.98	28.96		
							13.97	18.80	26.06	34.04		
6/12	0.250	0.350	0.540	0.826	1.140	.400	17.78	22.61	29.87	37.85		8.890
9/18	0.400	0.500	0.690	0.976	1.290	.550	<del>18.95</del>	23.88	31.14	39.12		10.160
10/20	0.450	0.550	0.740	1.026	1.340	.600	<del>20.32</del>	25.15	32.41	40.39		13.970
13/26	0.600	0.700	0.890	1.176	1.490	.750	<del>29.24</del>	34.04	41.30	49.28		15.240
14/28	0.650	0.750	0.940	1.226	1.540	.800	<del>30.97</del>	37.85	45.11	53.09		19.050
15/30	0.700	0.800	0.990	1.276	1.590	.850	<del>32.78</del>	44.20	51.46	59.44		20.320
20/40	0.950	1.050	1.240	1.526	1.840	1.100	<del>44.15</del>	49.28	56.54	64.52		21.590
22/44	1.050	1.150	1.340	1.626	1.940	1.200	<del>48.67</del>	50.55	57.81	65.79		27.940
25/50	1.200	1.300	1.490	1.776	2.090	1.350	<del>50.98</del>	56.90	64.16	72.14		30.480
30/60	1.450	1.550	1.740	2.026	2.340	1.600	<del>58.83</del>	63.25	70.51	78.49		34.290
34/68	1.650	1.750	1.940	2.226	2.540	1.800	<del>64.97</del>	69.60	76.86	84.84		40.640
35/70	1.700	1.800	1.990	2.276	2.590	1.850	<del>73.18</del>	75.95	83.21	91.19		45.720
40/80	1.950	2.050	2.240	2.526	2.840	2.100	<del>79.93</del>	82.30	89.56	97.54		46.990
45/90	2.200	2.300	2.490	2.776	3.090	2.350	<del>85.88</del>	87.38	94.64	102.62		53.340
50/100	2.450	2.550	2.740	3.026	3.340	2.600	<del>88.83</del>	88.65	95.91	103.89		59.690
55/110	2.700	2.800	2.990	3.276	3.590	2.850	<del>88.98</del>	89.92	97.18	105.16		66.040
60/120	2.950	3.050	3.240	3.526	3.840	3.100	<del>90.93</del>	95.00	102.26	110.24		72.390
64/128	3.150	3.250	3.440	3.726	4.040	3.300	<del>96.07</del>	101.35	108.61	116.59		78.740
65/130	3.200	3.300	3.490	3.776	4.090	3.350	<del>107.70</del>	107.70	114.96	122.94		83.820
66/132	3.250	3.350	3.540	3.826	4.140	3.400	<del>111.05</del>	114.05	121.31	129.29		85.090
70/140	3.450	3.550	3.740	4.026	4.340	3.600	<del>120.40</del>	120.40	127.66	135.64		86.360
75/150	3.700	3.800	3.990	4.276	4.590	3.850	<del>126.75</del>	126.75	134.01	141.99		91.440
80/160	3.950	4.050	4.240	4.526	4.840	4.100	<del>133.10</del>	133.10	140.36	148.34		97.790
85/170	4.200	4.300	4.490	4.776	5.090	4.350	<del>139.45</del>	139.45	146.71	154.69		104.140
90/180	4.450	4.550	4.740	5.026	5.340	4.600	<del>143.26</del>	143.26	150.52	158.50		110.490
95/190	4.700	4.800	4.990	5.276	5.590	4.850	119.38					116.840
100/200	4.950	5.050	5.240	5.526	5.840	5.100	125.73					123.190
105/210	5.200	5.300	5.490	5.776	6.090	5.350	132.08					129.540
108/216	5.350	5.450	5.640	5.926	6.240	5.500	133.89					135.890
110/220	5.450	5.550	5.740	6.026	6.340	5.600	138.43	140.97	145.08	153.06	161.06	139.700
120/240	5.950	6.050	6.240	'N' MOUNTING ONLY	6.100	151.13	153.67	158.50				142.240
												145.940

\* For complete part number add termination type and mounting style from Part Number Coding (e.g. RZB40DHHDD).